

REPORT NUMBER: 3179893TOR-221 G-PVCCM
ISSUE DATE: April 14, 2010

EVALUATION CENTER
Intertek
6225 Kenway Drive
Mississauga, Ontario L5T 2L3

RENDERED TO

Artistic Skylight Domes Ltd.
2 Guided Court
Etobicoke, ON M9V 4K6

Attention: Nenzio Ferrazzo

PRODUCT EVALUATED: G-PVCCM Fixed Skylights
EVALUATION PROPERTY: Physical Tests

Report of Testing for Artistic Skylights Domes Ltd. on G-PVCCM curb-mounted fixed glass skylight for compliance with the applicable requirements of the following criteria: AAMA/WDMA/CSA 101/I.S.2/A440-08 "NAFS North American Fenestration Standard/Specification for windows, doors, and skylights" and AAMA/WDMA/CSA 101/I.S.2/A440S1-09, Canadian Supplement.

"This report is for the exclusive use of Intertek's Client and is provided pursuant to the agreement between Intertek and its Client. Intertek's responsibility and liability are limited to the terms and conditions of the agreement. Intertek assumes no liability to any party, other than to the Client in accordance with the agreement, for any loss, expense or damage occasioned by the use of this report. Only the Client is authorized to permit copying or distribution of this report and then only in its entirety. Any use of the Intertek name or one of its marks for the sale or advertisement of the tested material, product or service must first be approved in writing by Intertek. The observations and test results in this report are relevant only to the sample tested. This report by itself does not imply that the material, product, or service is or has ever been under an Intertek certification program."

1 Table of Contents

1	Table of Contents	2
2	Introduction	3
3	Test Specimen	3
3.1.	SPECIMEN AND ASSEMBLY DESCRIPTION	3
4	Testing and Evaluation Methods	7
	DEVIATION FROM THE TEST STANDARD	8
4.1.	AIR LEAKAGE RESISTANCE TEST (Clause 5.3.2).....	8
4.2.	WATER PENETRATION RESISTANCE TEST (Clause 5.3.3).....	8
4.3.	UNIFORM LOAD TEST (Clause 5.3.4)	8
4.4	THERMOPLASTIC CORNER WELD TEST (Clause 5.3.6.2).....	9
5	Testing and Evaluation Results	10
5.1	Air Leakage Test (Clause 5.3.2).....	10
5.2	Water Penetration Resistance Test (Clause 5.3.3).....	11
5.3	Uniform Load Test (Clause 5.3.4)	12
5.4	Thermoplastic Corner Weld Test (Clause 5.3.6.2).....	14
6	Conclusion	15
	Appendix A – Parts List / Drawings	16

Report of Testing for Artistic Skylights Domes Ltd. on G-PVCCM curb-mounted fixed glass skylight for compliance with the applicable requirements of the following criteria: AAMA/WDMA/CSA 101/I.S.2/A440-08 “NAFS North American Fenestration Standard/Specification for windows, doors, and skylights” and AAMA/WDMA/CSA 101/I.S.2/A440S1-09, Canadian Supplement.

2 Introduction

Intertek has conducted performance testing for Artistic Skylight Domes Ltd. on three G-PVCCM curb-mounted fixed glass skylights for the Intertek Certification Program.

- (A) 30-1/4"×67"
- (B) 46-1/4"×67"
- (C) 48"×48"

The skylights were submitted to the Intertek laboratory in Mississauga, Ontario on November 9, 2009. Testing was conducted in accordance with the standard methods of AAMA/WDMA/CSA 101/I.S.2/A440-08 "NAFS North American Fenestration Standard/Specification for windows, doors, and skylights" and AAMA/WDMA/CSA 101/I.S.2/A440S1-09, *Canadian Supplement*. This evaluation began November 10, 2009 and was completed January 26, 2010.

3 Test Specimen

3.1. SPECIMEN AND ASSEMBLY DESCRIPTION

Designations:

- A - Class R-PG2160 (metric)-Size Tested 900×1895 mm - SKG/RW
- B - Class R-PG1440 (metric)-Size Tested 1289×1895 mm - SKG/RW
- C - Class R-PG1920 (metric)-Size Tested 1346×1346 mm - SKG/RW

(CAN)

(US)

- A - Class R-PG45-Size Tested 35.5×74.6 in - SKG/RW
- B - Class R-PG30-Size Tested 50.8×74.6 in - SKG/RW
- C - Class R-PG40-Size Tested 53.0×53.0 in - SKG/RW

Model:

- G-PVCCM Skylight

Type:

- Curb-mounted, aluminum capped, plastic frame fixed glass skylight

Manufacturer:

- Artistic Skylight Domes Ltd., 2 Guided Court, Etobicoke ON M9V 4K6

Condition:

- New and undamaged

Overall Frame Size:

Skylight No.	Width	Height
A	900 mm (35-7/16")	1895 mm (74-5/8")
B	1289 mm (50-3/4")	1895 mm (74-5/8")
C	1346 mm (53")	1346 mm (53")

Frame:

- Extruded vinyl main frame members (Extrusion Profiles Die No. V-413) with mitred and welded corners.
-

Frame (cont'd):

- Aluminum Cap- Extruded aluminum cap members (Spectra Aluminum Products Die No. SS-1880) having mitred corners fastened with one #6×1-1/4" pan head screw and a chevron corner key. The corners were liberally sealed with silicone on the backside.
- Installation: The unit was installed onto a 2x6 wood support frame with 1/2" plywood sheathing secured to one face, simulating a flat roof surface, the frame measuring 2438 mm (96") square overall. The skylight was installed over a centrally located opening, its perimeter lined with 2x6 wood members on the interior, and 2x6 wood members on the exterior forming a curb on the surface of the "roof".

Skylight No.	Width	Height
A	768 mm (30-1/4")	1765 mm (69-1/2")
B	1181 mm (46-1/2")	1765 mm (69-1/2")
C	1226 mm (48-1/4")	1226 mm (48-1/4")

The order of installation was as follows:

- The exterior of the plywood was faced with self-adhering peel-and-stick waterproofing membrane, the membrane continuing up the sides of the curb members and across the exterior face, terminating at the edge of the curb opening. Joints in the membrane were lapped over each other, the membrane being applied using a torch.
- Sections of angle-shaped brake formed 0.46 mm (0.018") thick aluminum flashing were installed along the curb, the 111 mm (4-3/8") leg of the flashing partially covering the side of the curb while the 16 mm (5/8") return partially covered the exterior face of the curb. Along the head and sill, one piece of full length flashing was used, along each jamb, two sections were used per jamb, the sections lapped over one another by 13 mm (1/2"). The flashing was retained by 1-5/8" long roofing nails
- The exterior face of the curb was fitted with an adhesive-backed closed cell foam tape gasket measuring 19 mm wide by 9.5 mm thick (3/4"×3/8"), its corners butted together. This gasket was applied to the exterior face of the curb such that it covered the joint formed between the flashing edge and the underlying membrane.
- The skylight frame was installed onto the curb, the foam gasket sandwiched between the exterior face of the curb and the backside of the skylight frame. The skylight frame was secured to the curb using #10×1-1/2" hex head self-drilling tek screws complete with a composite metal flat washer with a rubber gasket bonded to the underside of it.

Skylight No.	Number of Installation Fasteners (To curb)	
	Head Nailing Fin	Jamb Nailing Fin
A	3	5
B	4	5
C	5	5

Note: For air tightness testing only, the inside perimeter of the skylight support frame opening was sealed with red air barrier tape to the inside perimeter of the PVC skylight frame such that the 2x6 curb-to-PVC skylight frame joint was sealed as well as the joint between the 2x6 curb, the plywood sheathing, and 2x6 wood support members lining the opening. The tape was removed for water tightness testing.

Drainage:

- 4.8 mm (3/16") holes drained/vented the sill and one jamb to the frame cavity, two per member. The holes along the sill were 92 mm (3-5/8") on centre from the adjacent corresponding jamb surface. The holes along the jamb were 118 mm (4-5/8") on centre from the adjacent corresponding sill and head surfaces.
- The original 4.8 mm (3/16") holes draining/venting the frame cavity to the exterior were sealed with silicone.
- The frame cavity was drained/vented to the exterior via frame corners (above the curb-mount channel) which were ground off at 45°, opening up the cavity to the exterior.

Glazing:

- Sample A- Factory sealed glazing unit having an exterior sheet of nominally thick 5 mm tempered glass, an interior sheet of laminated 3mm/3mm and a metal spacer with a 6.8 mm (17/64") air gap. The glass was inscribed with the following: "OFG Tempered, ANSI Z97.1 2004, 16 CFR 1201 II, SGCC 3023 3/16 UA ". Overall IG thickness was 17.5 mm .
- Sample B- Factory sealed glazing unit having an exterior sheet of nominally thick 4 mm tempered glass, an interior sheet of laminated 3mm/3mm and a metal spacer with a 11 mm (7/16") air gap. The inscription on the glass could not be verified as the unit was destroyed during testing.
- Sample C- Factory sealed glazing unit having an exterior sheet of nominally thick 4 mm glass, an interior sheet of laminated 3mm/3mm and a metal spacer with a 9.8 mm (3/8") air gap. The glass was inscribed with the following: "OFG Tempered, ANSI Z97.1 2004, 16 CFR 1201 II, SGCC 2482 5/32 UA ". Overall IG thickness was 19.8 mm (25/32").

Glazing Method:

- Laid in glazed on the interior on a bed of silicone measuring nominally 13 mm (1/2") wide applied on a co-extruded flexible vinyl glazing gasket (Vinyl Profiles Part No. V-76), and retained with the extruded aluminum capping on the exterior, double-sided adhesive backed closed cell foam tape measuring 6.4 mm wide by 3.2 mm thick (1/4"×1/8") being sandwiched between the exterior of the glazing unit and the back side of the aluminum capping. The corners of the sealed unit were also sealed to the back-side of the capping with silicone. The aluminum cap was fastened to the skylight frame using #8×3/4" self-drilling tek screws installed through the side of the capping. Neoprene shims, secured by a dab of caulking, were fitted between the edge of the sealed unit and the down-turned leg of the capping. The shims measured 38 mm long by 25.4 mm wide by 4.8 mm thick (1-1/2"×1"×3/16").
-

Skylight No.	Number of Aluminum Cap Fasteners	
	Head/Sill	Jambs
A	4	10
B	6	10
C	5	5

Skylight No.	Number of Neoprene Shims	
	Head/Sill	Jambs
A	4	4
B	4	4
C	3	3

Drawings:

- Plan and Cross-Section Drawing:
Artistic Skylight Domes drawing G-PVCCM, undated
- Component Drawings:
Vinyl Profiles Ltd. Drawing No. V-413, titled "Curb Mount Frame", dated March 24, 2009
Spectra Aluminum Products Die No. SS-1880, titled "Retaining Frame", dated Nov/30/2000

Drawings are enclosed with this report in Appendix A.

4 Testing and Evaluation Methods

The Skylights (glazed with glass) (SKG) as described in this report were tested to the Residential (R) Performance Class as follows: (The skylights met the Gateway Performance Requirements, by virtue of meeting the higher (optional) performance grades to which they were tested):

- Minimum Gateway Test Size: 500 mm × 1100 mm
- Maximum Allowable Air Leakage: 1.5 L/s•m² (0.3 cfm/ft²) (US)
- Maximum Allowable Air Leakage: 0.2 L/s•m² (0.04 cfm/ft²) (FIXED Canadian)
- Minimum Water Pressure: 140 Pa (2.9 psf)
- Minimum Design Pressure: 720 Pa (15 psf)
- Minimum Structural Pressure: 1440 Pa (30 psf)

The skylights were tested for compliance to the above test criteria in order to achieve the Gateway Performance Designation of Class R-PG15/R-PG720. Performance testing was conducted in order to meet the overall Optional Performance requirements as follows:

A- 30-1/4" × 69-1/2"

- Optional Water Pressure: 580 Pa (12 psf)
- Optional Water Pressure (Canada): 730 Pa (15 psf)
- Optional Positive Design Pressure: 5040 Pa (105 psf)
- Optional Negative Design Pressure: 2160 Pa (45 psf)
- Optional Positive Structural Test Pressure: 10080 Pa (210 psf)
- Optional Negative Structural Test Pressure: 4320 Pa (90 psf)
- Canada (only) Air Infiltration/Exfiltration Level: Fixed

B- 46-1/4" × 69-1/2"

- Optional Water Pressure: 580 Pa (12 psf)
- Optional Water Pressure (Canada): 730 Pa (15 psf)
- Optional Positive Design Pressure: 3600 Pa (75 psf)
- Optional Negative Design Pressure: 1440 Pa (30 psf)
- Optional Positive Structural Test Pressure: 7200 Pa (150 psf)
- Optional Negative Structural Test Pressure: 2880 Pa (60 psf)
- Canadian (only) Air Infiltration/Exfiltration Level: Fixed

C- 48" × 48"

- Optional Water Pressure: 580 Pa (12 psf)
 - Optional Water Pressure (Canada): 730 Pa (15 psf)
 - Optional Positive Design Pressure: 4560 Pa (95 psf)
 - Optional Negative Design Pressure: 1920 Pa (40 psf)
 - Optional Positive Structural Test Pressure: 9120 Pa (210 psf)
 - Optional Negative Structural Test Pressure: 3840 Pa (80 psf)
 - Canadian (only) Air Infiltration/Exfiltration Level: Fixed
-

DEVIATION FROM THE TEST STANDARD

Testing was not initiated at the minimum Gateway grade levels for the SKG-R class of skylights in all incidences of testing. As testing was performed in conjunction with other skylight test standards, the skylight was tested to the Optional Performance Grades of AAMA/WDMA/CSA 101/I.S.2/A440-08. By default, the minimum Gateway requirements were met by virtue of meeting the requirements at higher test levels.

4.1. AIR LEAKAGE RESISTANCE TEST (Clause 5.3.2)

The Air Leakage Resistance test was performed in accordance with ASTM E283-04, "*Standard Test Method for Determining Rate of Air Leakage Through Exterior Windows, Curtain Walls, and Doors Under Specified Pressure Differences Across the Specimen.*"

Air infiltration and exfiltration tests were performed using test pressures of 75 Pa (1.57 psf). The maximum air leakage rate was calculated and compared to the allowable air leakage.

4.2. WATER PENETRATION RESISTANCE TEST (Clause 5.3.3)

The Water Tightness test was conducted and evaluated in accordance AAMA/WDMA/CSA 101/I.S.2/A440-08, Section 5.3.3.4, in conjunction with ASTM E331-00, "*Standard Test Method for Water Penetration of Exterior Windows, Skylights, Doors, and Curtain Walls by Uniform Static Air Pressure Difference.*"

The Water Tightness test was performed with the skylight installed into a make-shift roof opening as installed by the client, the installation details contained herein. For the water penetration test, the roof was placed at a 15° incline from horizontal at the specified pressure differential and a water spray rate of at least 204 L/m² per hour (5.0 US gal/ft² per hour). The test duration was 15 minutes.

4.3. UNIFORM LOAD TEST (Clause 5.3.4)

4.3.1 Uniform Load Deflection Test (Clause 5.3.4.2)

The Uniform Load Deflection test was conducted in accordance with ASTM E330-02, "*Standard Test Method for Structural Performance of Exterior Windows, Curtain Walls, and Doors by Uniform Static Air Pressure Difference,*" Procedure A.

The Deflection test was performed in both the positive and negative directions. A load equal to one-half the anticipated allowable load was applied and held for one minute. Deflection measurements were taken at the mid-span and ends of a jamb. The load was then released and deflection readings were taken after a recovery period of not less than one minute nor more than five minutes at zero load. The test specimen was evaluated for permanent damage. The anticipated allowable load was then be applied and held for one minute. Deflection readings were taken. The load was then released; deflection readings were taken after a recovery period of not less than one minute nor more than five minutes at zero load. The test specimen was evaluated for failure or permanent deformation of any part of the skylight that would cause any operational malfunction.

4.3.2 Uniform Load Structural Test (Clause 5.3.4.2)

The Uniform Load Structural Test was conducted in accordance with ASTM E330-02, "*Standard Test Method for Structural Performance of Exterior Windows, Curtain Walls, and Doors by Uniform Static Air Pressure Difference*," Procedure A.

The Structural test was performed in both the positive and negative directions. A load equal to one-half the structural test pressure was applied and held for one minute. Permanent deflection measurements were taken at the mid-span and ends of a jamb. The load was then released and deflection readings were taken after a recovery period of not less than one minute nor more than five minutes at zero load. The test specimen was evaluated for permanent damage. The structural test pressure was then be applied and held for one minute. Deflection readings were taken. The load was then released; Permanent deflection readings were taken after a recovery period of not less than one minute nor more than five minutes at zero load. The test specimen was evaluated for failure or permanent deformation of any part of the skylight that would cause any operational malfunction.

4.4 THERMOPLASTIC CORNER WELD TEST (Clause 5.3.6.2)

Corner weld tests were conducted in accordance with Clause 5.3.6.2 of the AAMA/WDMA/CSA 101/I.S.2/A440-08. Each corner sample was mounted in a test fixture as per Figure 12 of the standard. The frame corners were loaded as per Figure 12 with a gradually increasing load until breakage of the corner occurred. When loaded to failure, the break shall not extend along the entire weld line.

5 Testing and Evaluation Results

5.1 Air Leakage Test (Clause 5.3.2)

A- G-PVCCM 30-1/4"x67"		
Air Infiltration – 75 Pa (1.57 psf)		
Net infiltration:		0.23 L/s (0.49 cfm)
Total Skylight Area		1.706 m ² (18.36 ft ²)
Air Leakage Rate:		0.14 L/s·m ² (0.027 cfm/ft ²)
Air Exfiltration – 75 Pa (1.57 psf)		
Net exfiltration:		0.19 L/s (0.39 cfm)
Total Skylight Area		1.706 m ² (18.36 ft ²)
Exfiltration rate:		0.11 L/s·m ² (0.021 cfm/ft ²)
B – G-PVCCM 46-1/4"x67"		
Air Infiltration – 75 Pa (1.57 psf)		
Net infiltration:		0.28 L/s (0.59 cfm)
Total Skylight Area		2.443 m ² (26.29 ft ²)
Air Leakage Rate:		0.11 L/s·m ² (0.022 cfm/ft ²)
Air Exfiltration – 75 Pa (1.57 psf)		
Net exfiltration:		0.14 L/s (0.30 cfm)
Total Skylight Area		2.443 m ² (26.29 ft ²)
Exfiltration rate:		0.06 L/s·m ² (0.011 cfm/ft ²)
C- G-PVCCM 48"x48"		
Air Infiltration – 75 Pa (1.57 psf)		
Net infiltration:		0.28 L/s (0.59 cfm)
Total Skylight Area		1.812 m ² (19.51 ft ²)
Air Leakage Rate:		0.15 L/s·m ² (0.030 cfm/ft ²)
Air Exfiltration – 75 Pa (1.57 psf)		
Net exfiltration:		0.19 L/s (0.40 cfm)
Total Skylight Area		1.812 m ² (19.51 ft ²)
Exfiltration rate:		0.10 L/s·m ² (0.020 cfm/ft ²)
Maximum allowable air leakage rate:		
		1.5 L/s·m ² (0.3 cfm/ft ²)
Maximum allowable air leakage rate (Canadian Fixed):		
		0.2 L/s·m ² (0.04 cfm/ft ²)

The G-PVCCM skylights **MET** the performance levels (as well as FIXED Canadian Infiltration/Exfiltration Levels) specified in AAMA/WDMA/CSA 101/I.S.2/A440-08 for Air Leakage Resistance.

5.2 Water Penetration Resistance Test (Clause 5.3.3)

A- G-PVCCM 30-1/4"x67"	
Pressure Differential	730 Pa (15 psf)
Skylight Inclination Angle	0° and 15°
Results:	No water leakage observed.
B – G-PVCCM 46-1/4"x67"	
Pressure Differential	730 Pa (15 psf)
Skylight Inclination Angle	0° and 15°
Results:	No water leakage observed.
C- G-PVCCM 48 x 48	
Pressure Differential	730 Pa (15 psf)
Skylight Inclination Angle	0° and 15°
Results:	No water leakage observed.

The G-PVCCM skylights **MET** the minimum Gateway Water Penetration Resistance requirement at 140 Pa (2.9 psf), and the Optional Performance requirement for Residential class at 580 Pa (12 psf) in AAMA/WDMA/CSA 101/I.S.2/A440-08. Additionally, the skylight system met the maximum water penetration resistance requirements for Canadian applications at 730 Pa (15.2 psf).

5.3 Uniform Load Test (Clause 5.3.4)

Uniform Load Deflection Test - A- G-PVCCM 30-1/4"x67"		
Member	Jamb	
Span Length	1778 mm (70")	
Allowable Deflection	Report only	
Test Pressure*	Positive Load	Negative Load
	+5040 Pa (+105 psf)	-2520 Pa (-52.5 psf)*
Maximum Net Deflection	6.21 mm (0.244")	5.61 mm (0.221")
Note:	* Negative Load Test was conducted at -2520 instead of -2160 Pa	
Post-test Details	After the test loads were released, the skylight was inspected and there was found to be no failure or permanent deformation of any part of the skylight that would cause any operational malfunction.	

Uniform Load Deflection Test - B – G-PVCCM 46-1/4"x67"		
Member	Jamb	
Span Length	1829 mm (72")	
Allowable Deflection	Report only	
Test Pressure*	Positive Load	Negative Load
	+3600 Pa (+75 psf)	-1800 Pa (-37.5 psf)**
Maximum Net Deflection	3.26 mm (0.128")	3.76 mm (0.148")
Note:	** Negative Load Test was conducted at -1800 instead of -1440 Pa	
Post-test Details	After the test loads were released, the skylight was inspected and there was found to be no failure or permanent deformation of any part of the skylight that would cause any operational malfunction.	

Uniform Load Deflection Test - C- G-PVCCM 48 x 48		
Member	Jamb	
Span Length	1295 mm (51")	
Allowable Deflection	Report only	
Test Pressure	Positive Load*	Negative Load
	+4800 Pa (+100 psf)*	-2000 Pa (-41.8 psf)**
Maximum Net Deflection	2.05 mm (0.081")	1.31 mm (0.052")
Note	* Deflection measurements were carried out at +4800 Pa instead of +4560 Pa	
Note	** Deflection measurements were carried out at -2000 Pa instead of -1920 Pa	
Post-test Details	After the test loads were released, the skylight was inspected and there was found to be no failure or permanent deformation of any part of the v that would cause any operational malfunction.	

5.3 Uniform Load Tests (cont'd)

Uniform Load Structural Test - A- G-PVCCM 30-1/4"x67"		
Member	Jamb	
Span Length	1778 mm (70")	
Allowable Residual Deflection (0.4% × span)	7.11 mm (0.280")	
Test Pressure	Positive Load	Negative Load
	+10080 Pa (+210 psf)	-4320 Pa (-90 psf)
Residual Net Deflection	1.32 mm (0.052")	0.28 mm (0.011")
Post-test Details	After the test loads were released, the skylight was inspected and there was found to be no failure or permanent deformation of any part of the skylight that would cause any operational malfunction.	

Uniform Load Structural Test - B – G-PVCCM 46-1/4"x67"		
Member	Jamb	
Span Length	1829 mm (72")	
Allowable Residual Deflection (0.4% × span)	7.32 mm (0.288")	
Test Pressure	Positive Load	Negative Load
	+7200 Pa (+150 psf)	-2880 Pa (-60 psf)
Residual Net Deflection	0.31 mm (0.012")	0.26 mm (0.010")
Post-test Details	After the test loads were released, the skylight was inspected and there was found to be no failure or permanent deformation of any part of the skylight that would cause any operational malfunction.	

Uniform Load Structural Test - C- G-PVCCM 48"x48"		
Member	Jamb	
Span Length	1295 mm (51")	
Allowable Residual Deflection (0.4% × span)	5.18 mm (0.204")	
Test Pressure	Positive Load	Negative Load
	+9120 Pa (+190 psf)	-3840 Pa (-80 psf)
Residual Net Deflection	0.09 mm (0.004")	0.11 mm (0.004")
Post-test Details	After the test loads were released, the skylight was inspected and there was found to be no failure or permanent deformation of any part of the skylight that would cause any operational malfunction.	

The G-PVCCM skylights met the minimum Gateway Uniform Load Structural Test (200% of Design Pressure) performance requirements at ±1440 Pa (±30 psf). The skylights met the optional performance requirements as specified in AAMA/WDMA/CSA 101/I.S.2/A440-08 as follows:

Skylight No.	Structural Load Achieved	
	Positive Load	Negative Load
A	+10080 Pa (+210 psf)	-4320 Pa (-90 psf)
B	+7200 Pa (+150 psf)	-2880 Pa (-60 psf)
C	+9120 Pa (+190 psf)	-3840 Pa (-80 psf)

5.3 Uniform Load Tests (cont'd)

The G-PVCCM skylights qualify for the design loads as follows:

Skylight No.	Positive Load	Negative Load
A	+5040 Pa (+105 psf)	-2160 Pa (-45 psf)
B	+3600 Pa (+75 psf)	-1440 Pa (-30 psf)
C	+4560 Pa (+95 psf)	-1920 Pa (-40 psf)

5.4 Thermoplastic Corner Weld Test (Clause 5.3.6.2)

Frame- Break did not extend along entire weld line.

The skylights met the performance requirements specified in AAMA/WDMA/CSA 101/I.S.2/A440-08 for thermoplastic corner weld test.

6 Conclusion

When tested to the requirements in accordance with AAMA/WDMA/CSA 101/I.S.2/A440-08 “NAFS North American Fenestration Standard/Specification for windows, doors, and skylights” and AAMA/WDMA/CSA 101/I.S.2/A440S1-09, *Canadian Supplement*, the G-PVCCM skylights described and tested herein achieved the following Performance Designations:

Primary Designator

- (CAN) A - Class R-PG2160 (metric)-Size Tested 900×1895 mm - SKG/RW
B - Class R-PG1440 (metric)-Size Tested 1289×1895 mm - SKG/RW
C - Class R-PG1920 (metric)-Size Tested 1346×1346 mm - SKG/RW
- (US) A - Class R-PG45-Size Tested 35.5×74.6 in - SKG/RW
B - Class R-PG30-Size Tested 50.8×74.6 in - SKG/RW
C - Class R-PG40-Size Tested 53.0×53.0 in - SKG/RW

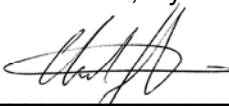
Secondary Designator

- A Positive Design Pressure = +5040 Pa (+105 psf)
Negative Design Pressure = -2160 Pa (-45 psf)
Water Penetration Resistance (US only) = 580 Pa (12 psf)
Water Penetration Resistance (Canada only) = 730 Pa (15.2 psf)
Canadian Air Leakage Resistance (Infiltration/Exfiltration) = Fixed
- B Positive Design Pressure = +3600 Pa (+75 psf)
Negative Design Pressure = -1440 Pa (-30 psf)
Water Penetration Resistance (US only) = 580 Pa (12 psf)
Water Penetration Resistance (Canada only) = 730 Pa (15.2 psf)
Canadian Air Leakage Resistance (Infiltration/Exfiltration) = Fixed
- C Positive Design Pressure = +4560 Pa (+95 psf)
Negative Design Pressure = -1920 Pa (-40 psf)
Water Penetration Resistance (US only) = 580 Pa (12 psf)
Water Penetration Resistance (Canada only) = 730 Pa (15.2 psf)
Canadian Air Leakage Resistance (Infiltration/Exfiltration) = Fixed

INTERTEK

Tested by Mustafa Swalah, Ryan Huynh and Claudio Sacilotto

Reported by: _____

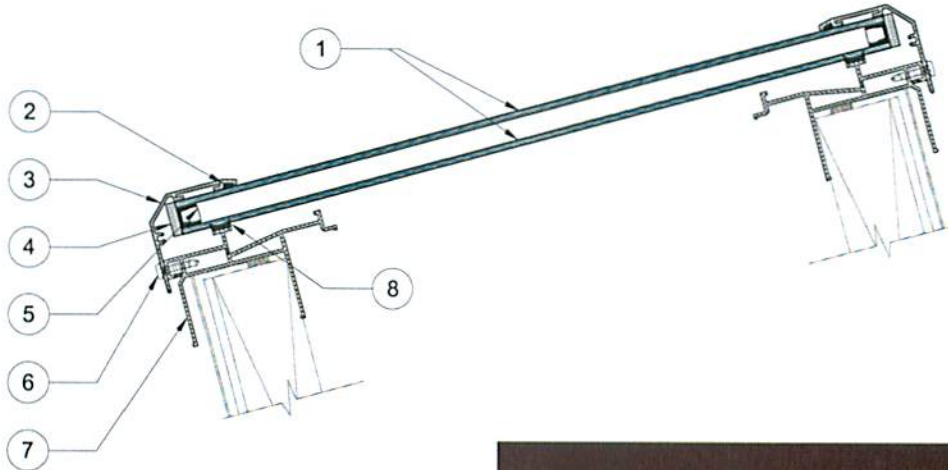

Claudio Sacilotto
Physical Testing Services

Reviewed by: _____


Ryan Huynh
Physical Testing Services

Appendix A – Parts List / Drawings

(Parts List / Drawings – 3 pages)



MODEL G-PVCCM (CURBMOUNT FIXED - GLASS GLAZING)

	DETAIL
UNIT 1: LOW-e ON THIRD SURFACE	1 - CLEAR TEMPERED 2 - CLEAR TEMPERED
UNIT 2: LOW-e ON THIRD SURFACE	1 - BRONZE TEMPERED 2 - CLEAR TEMPERED
UNIT 3: LOW-e ON THIRD SURFACE with ARGON GAS FILL	1 - CLEAR TEMPERED 2 - CLEAR TEMPERED
UNIT 4: LOW-e ON THIRD SURFACE with ARGON GAS FILL	1 - BRONZE TEMPERED 2 - CLEAR TEMPERED
UNIT 5: LOW-e ON SECOND SURFACE	1 - CLEAR TEMPERED 2 - CLEAR LAMINATED (0.030)
UNIT 6: LOW-e ON SECOND SURFACE	1 - BRONZE TEMPERED 2 - CLEAR LAMINATED (0.030)
UNIT 7: LOW-e ON SECOND SURFACE with ARGON GAS FILL	1 - CLEAR TEMPERED 2 - CLEAR LAMINATED (0.030)
UNIT 8: LOW-e ON SECOND SURFACE with ARGON GAS FILL	1 - BRONZE TEMPERED 2 - CLEAR LAMINATED (0.030)



PARTS LIST

MODEL G-PVCCM (CURBMOUNT FIXED - GLASS GLAZING)

PARTICULAR	MANUFACTURER
1. GLASS GLAZING	GUARDIAN INDUSTRIES CORP., U.S.A.
2. 3/8" x 3/4" DOUBLE FACE VINYL FOAM GLAZING TAPE	GASKA TAPE INC.
3. EXTRUDED ALUMINUM RETAINING FRAME (6063-T5 ALLOY)	SPECTRA DIE # SS-1880 & AFP DIE # 228
4. NEOPRENE SETTING BLOCK (3/4" x 1" 1/2") BACK ADHERED	COMBI-FAB PRODUCTS
5. ALUMINUM SPACER WITH POLYSULFIDE SEALANT	TRIPLE SEAL LTD.
6. #8 x 18 x 3/4" ASSEMBLY SCREW	ROBERTSON, CANADA
7. EXTRUDED RIGID THERMAL PVC CURB FRAME	VINYL PROFILES LTD., DIE # V-413
8. CO-EXTRUDED RUBBER DRAFT SEAL	EXTRUSION PROFILES INC.

SKYLIGHT MODEL:

G-PVCCM

Artistic
SKYLIGHT DOMES LTD

2 Guided Court
Etobicoke, Ontario, Canada M9V 4K6
E-mail: artistic@istar.ca
Web: www.artisticskylight.com



Vinyl Profiles Ltd.
 CUSTOM EXTRUSION
 166 NOMINA DR. VILVICHAN CNTRL. 427
 TEL: 1-800-665-0036
 FAX: 1-800-665-0037
 E-Mail: info@vinylprofiles.com

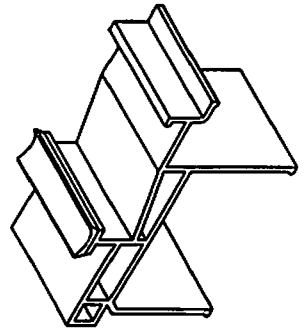
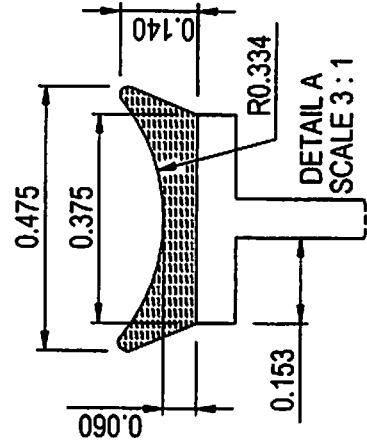
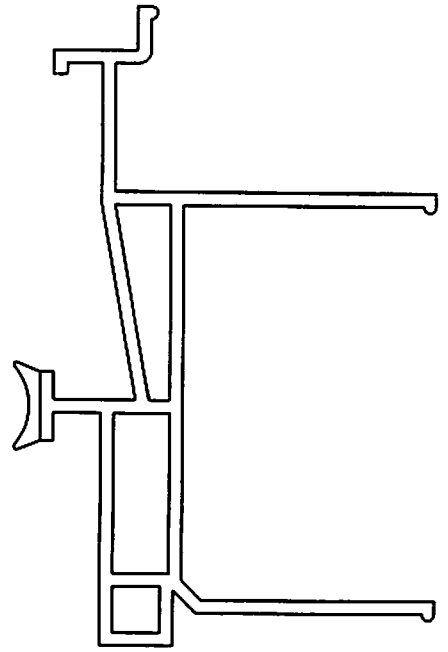
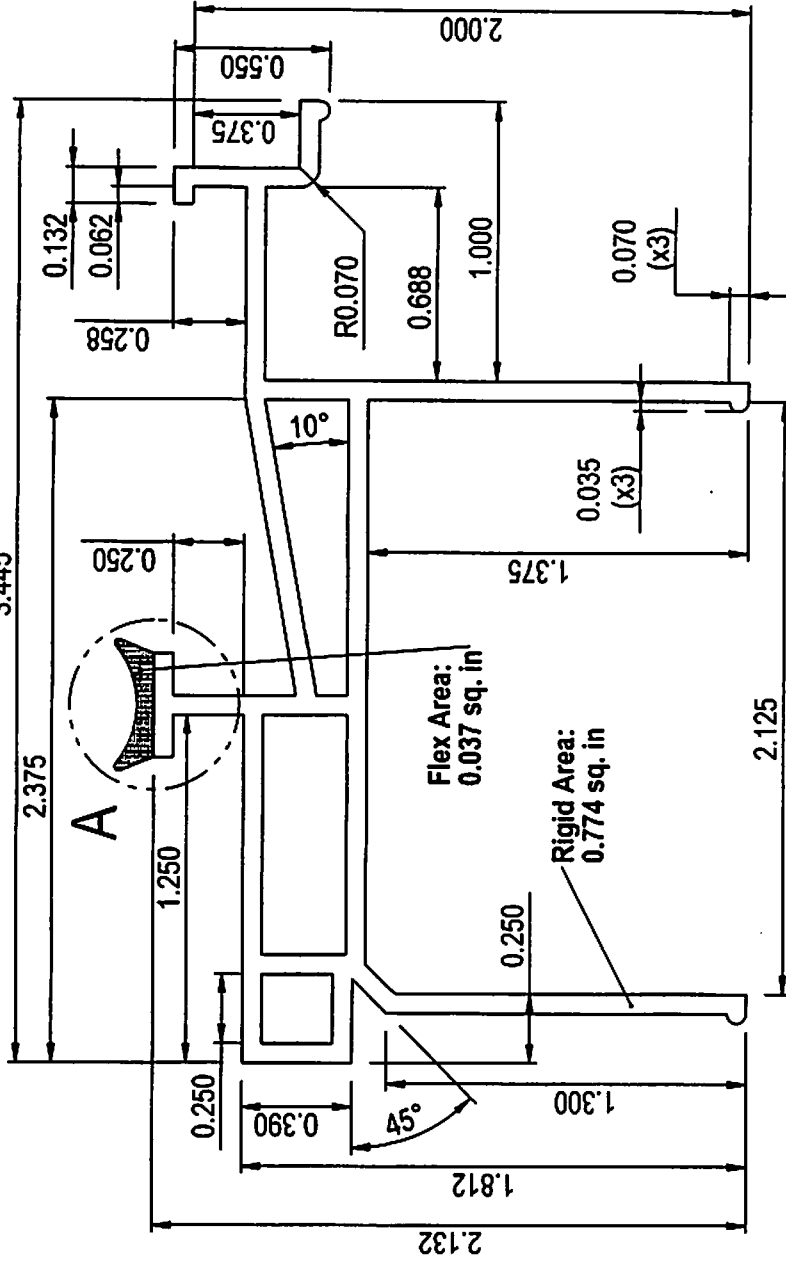
Customer: Artistic
Part Name: Curb Mount Frame
Drawing #: V-413
Material: Dual PVC

Part#: 328C
Color: WHT 143 / Flex-65

Date: March 24, 2009
Scale: 1.5:1
Drawn By: S. Q
Approved By:

Die #: V-413
Rack #: ---
Area: 0.811 sq. in
Unit: Inch

Wall Thickness: 0.070"
 Typ. Radii: 0.015"



SCALE: 1:1

DESCRIPTION: **RETAINING FRAME**

PROPOSAL#: **SP-12291**

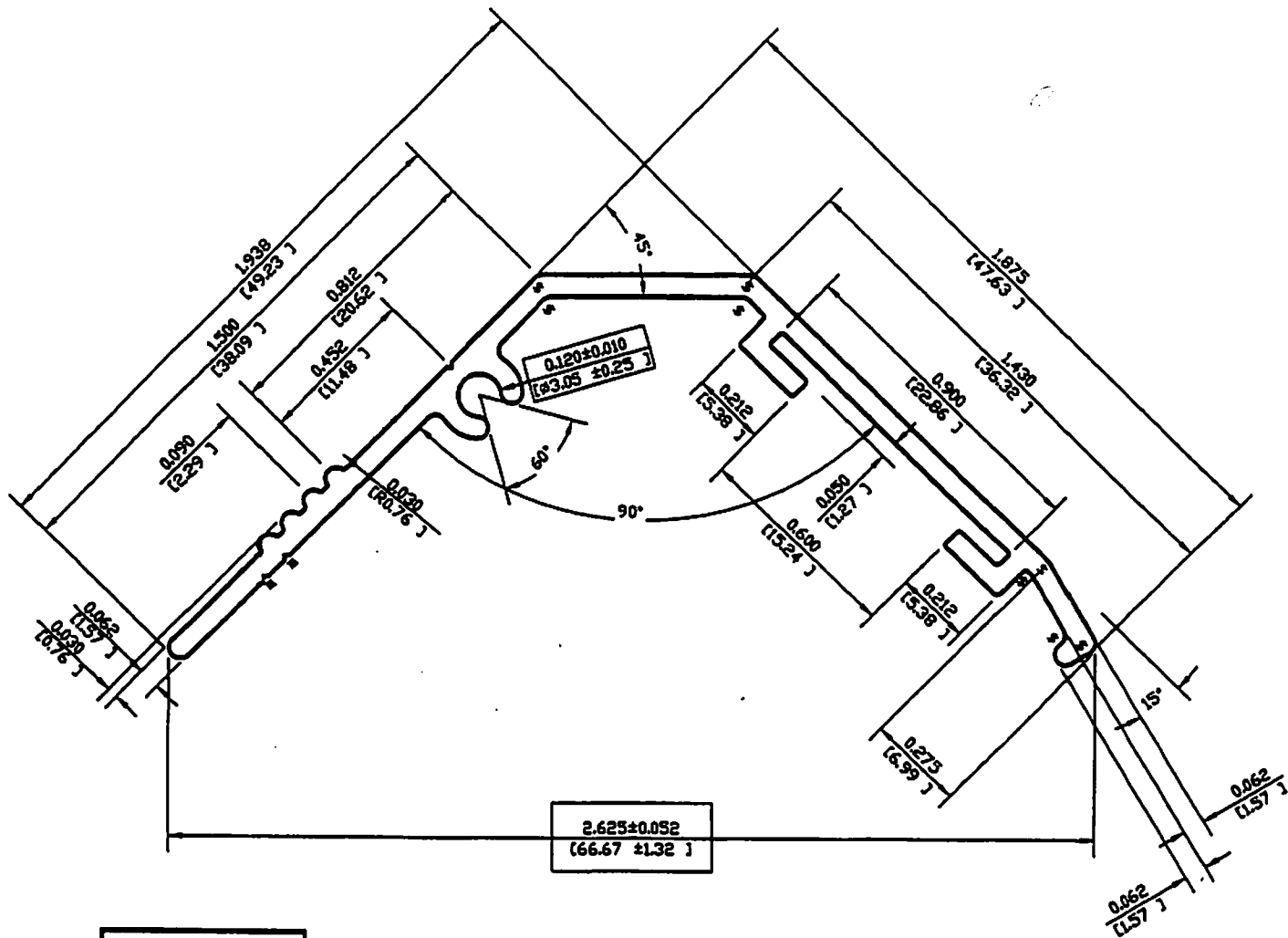
CUSTOMER #
01187233

CUSTOMER: **ARTISTIC SKYLIGHTS**

DIE NO. **SS-1880**

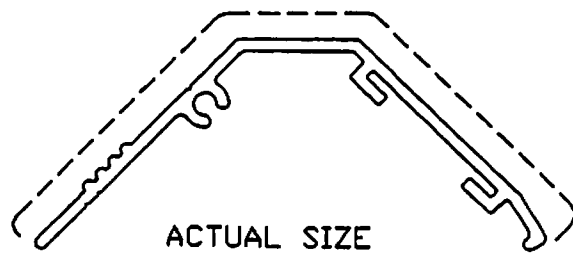
DATE: LET: REVISION: BY:

SPECTRA ALUMINUM PRODUCTS INC.
UNCONTROLLED
Date: **FEB 20 2007**



CAVITY I.D.

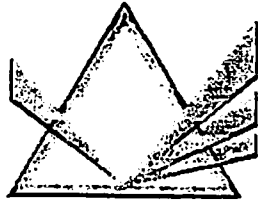
EXPOSED SURFACES



NOTE: WALL THICKNESS IS 0.062" (1.57mm) UNLESS OTHERWISE SHOWN
NOTE: BREAK ALL CORNERS AT 0.010" (0.25mm) UNLESS OTHERWISE SHOWN
NOTE: * INDICATES A 0.031" (0.79mm) RADIUS

X.XXX = CRITICAL DIM.
* = 0.010 (0.25) X 90° (SPECTRA ALUMINUM ID MARK)

NOTE:
STANDARD ALUMINUM ASSOCIATION TOLERANCES APPLY UNLESS OTHERWISE SPECIFIED.



SPECTRA
ALUMINUM PRODUCTS INC.

PRICING: WEIGHT <input checked="" type="checkbox"/> PIECE: <input type="checkbox"/>		ALLOY: CHECK P.O.	TEMPER: TS
SS NO.: 1	CONTR: 6'	PKT: 3/4"	EXT. RATIO 50.66
BACKER NO.: BA-1632-1	DIE SIZE: 8" x 1"		
BOLSTER NO.: BD-2B	BACKER SIZE: 8" x 3'		EST. AREA: 0.279 sq.in 180.00 sq.mm
GUAGE:		NITROGEN: <input type="checkbox"/>	CAV.: 2
DWN. BY: S.B.		SCALE: 2:1	DATE: NOV/30/2000
		EST. VT: 0.329 lbs/ft. 0.489 kg/m	DNS. PER: In mm
			FACTORY: 26.78
			CCD: 2.625 In 66.66 mm