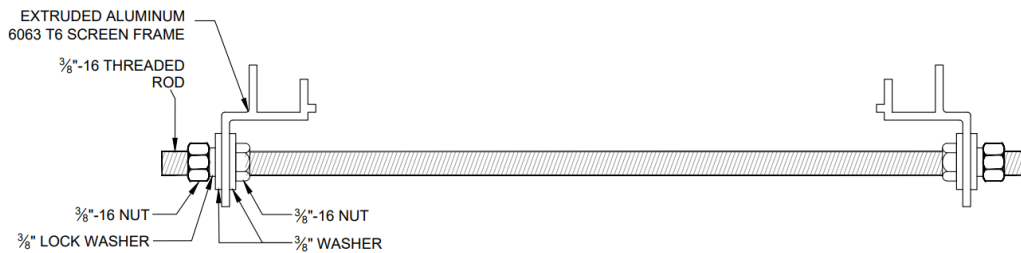


INSTALLATION INSTRUCTIONS

MODEL: FPS-FS (SKYLIGHT FALL SCREEN)

INSTALLATION STEPS:

1. Locate (2) lengths of 3/8" threaded rod, and pre-assemble with (1) 3/8" nut and (1) 3/8" washer per each end.
2. Locate (2) Lengths of FS rails and slot (1) 3/8" threaded rod per each end.
3. Per each 3/8" threaded rod, install (1) 3/8" nut, (1) 3/8" Lock Washer and (1) 3/8" Washer, to the exterior face of the FS Rails.

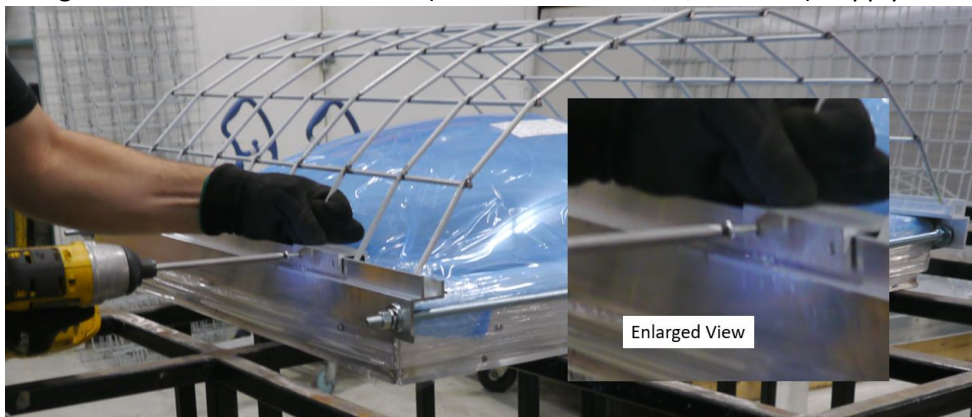


4. Place FS rail and threaded rod sub-assembly over skylight, and adjust inner nuts and washer spacing to match width of the skylight's outside retaining frame dimension.



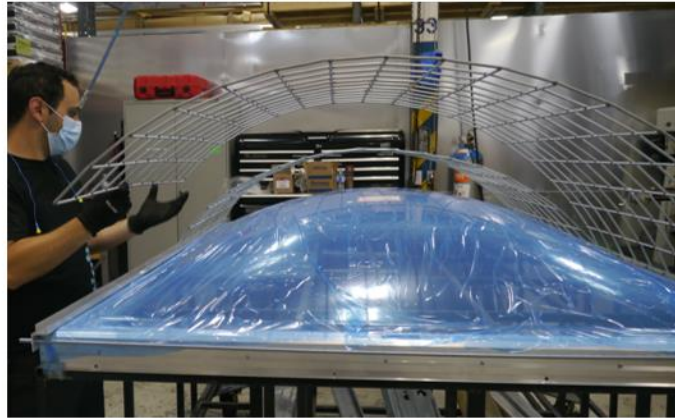
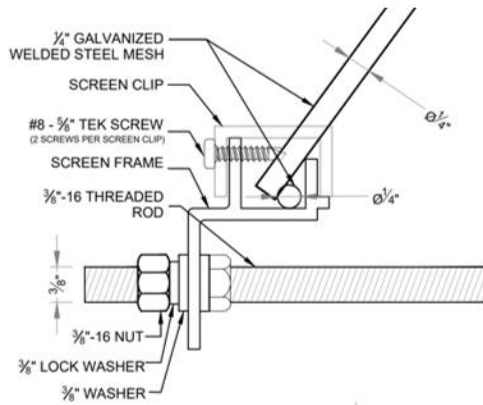
5. Ensure that the inner washer and 3/8" nut, are equal to or less than the outside retainer frame dimension.
6. The inside face of the vertical leg on the FS-Rail, should equal the outside retaining frame dimension of the skylight.
7. Install screen into U channel of the rail. Ensure that the screen sits in the bottom of the U channel.
8. Add screen clips, placed on top of the FS-Rails, to secure the mesh.

Note: Each FPS-FF Screen size will result in varying amounts of screen clips per side.
9. Using Robertson #2 Bit and Screws (8-18 x 3/4" TEK Screws, CAMTAP). Apply 2 Screws per Clip.

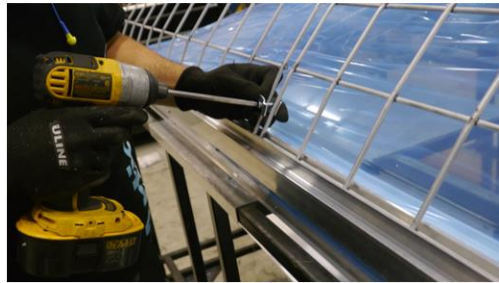


10. Note: Ensure full material penetration. Do not over tighten, to reduce risk of snapping screw heads.
- Note: It is important that this product be installed as per manufacturer's instructions

11. Adjust outer nut, washer, lock washer assembly, and tighten. Rails should be snug against the skylight frame.
12. At this point all nuts should be snug to all corners of the rails. Pull up gently on the guard. If it comes away from the skylight, loosen off the outer nuts, adjust the inner nuts and washers and then re-tighten. Guard should not come off the skylight frame.



13. For larger, longer skylights, more than one section of mesh may be required.
14. Both sections of mesh to be connected. Ensure that the bottom of the mesh is located in the bottom of the U channel of the rail.
15. Attach Screen Connector Clips to secure both pieces of Mesh together.



Install Screen Connector Clips

16. Evenly space screen connector clips based on the amount provided.



17. Equally space out screen clips on top of the FS-Rails and finalize assemble as outlined in steps (11) – (16).
Note: It is important that this product be installed as per manufacturer's instructions