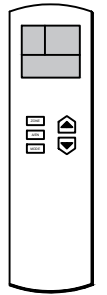
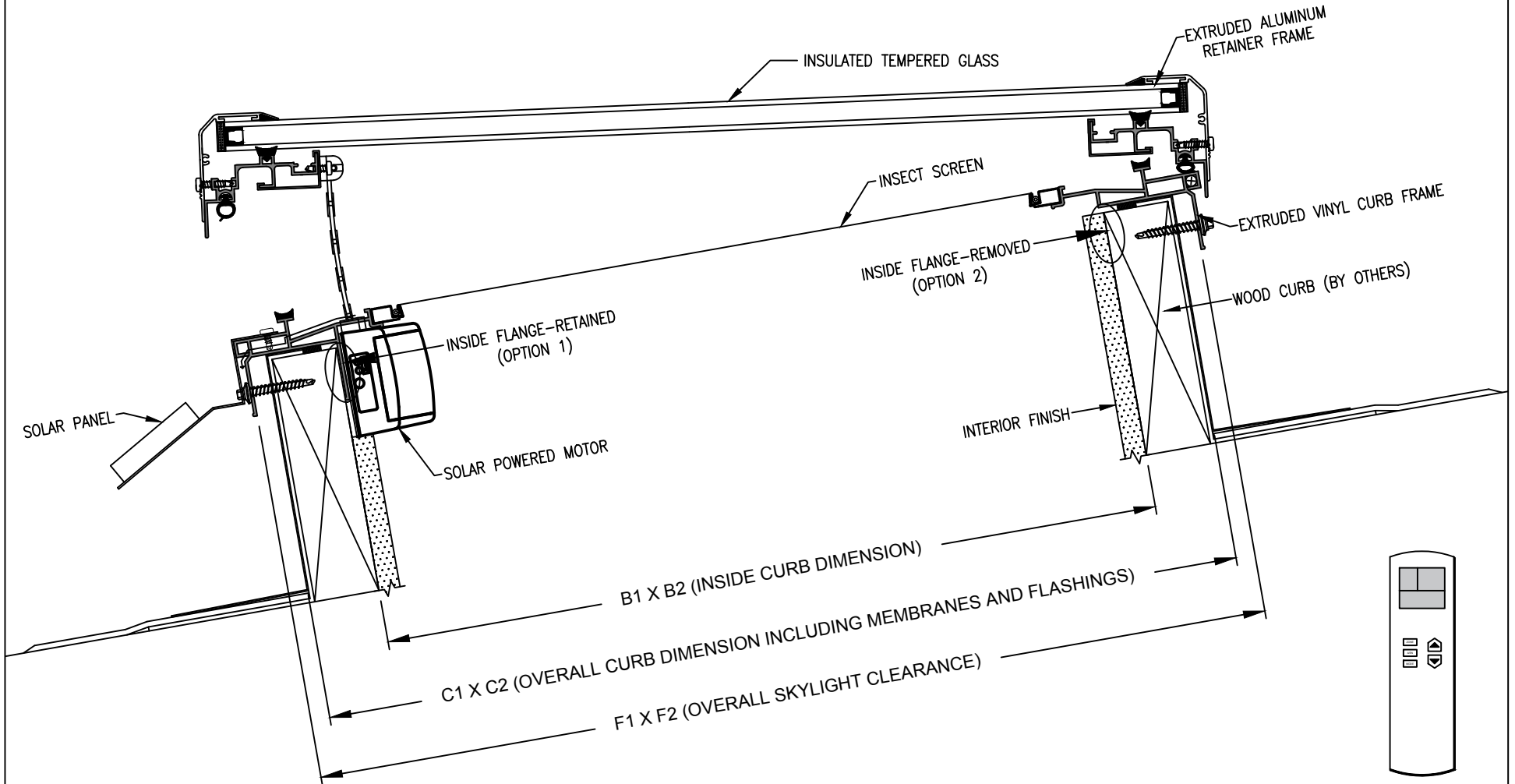


CUSTOM ORDER FORM

SKYLIGHT SECTION: MODEL SP-GV-PVCCM (SLOPED ROOF)



REMOTE CONTROL

| REQUIRED DIMENSIONS: inches/mm | | INSIDE FLANGE | CUSTOMER: | QUANTITY: |
|--------------------------------|--|--|---------------------|-----------|
| B1 | | CHOOSE OPTION SHOWN ABOVE: | CONFIRMED BY: _____ | |
| B2 | | | | |
| C1 | | OPTION 1 (RETAINED) <input type="checkbox"/> | SIGNATURE: _____ | |
| C2 | | | | |
| F1 | | OPTION 2 (REMOVED) <input type="checkbox"/> | DATE: _____ | |
| F2 | | | | |



255 Regina Road, Vaughan, Ontario, Canada L4L 8M3
 Tel: (416) 747-7233 Fax: (416) 747-6630
 E-mail: info@artisticskylight.com
 Web: www.artisticskylight.com